

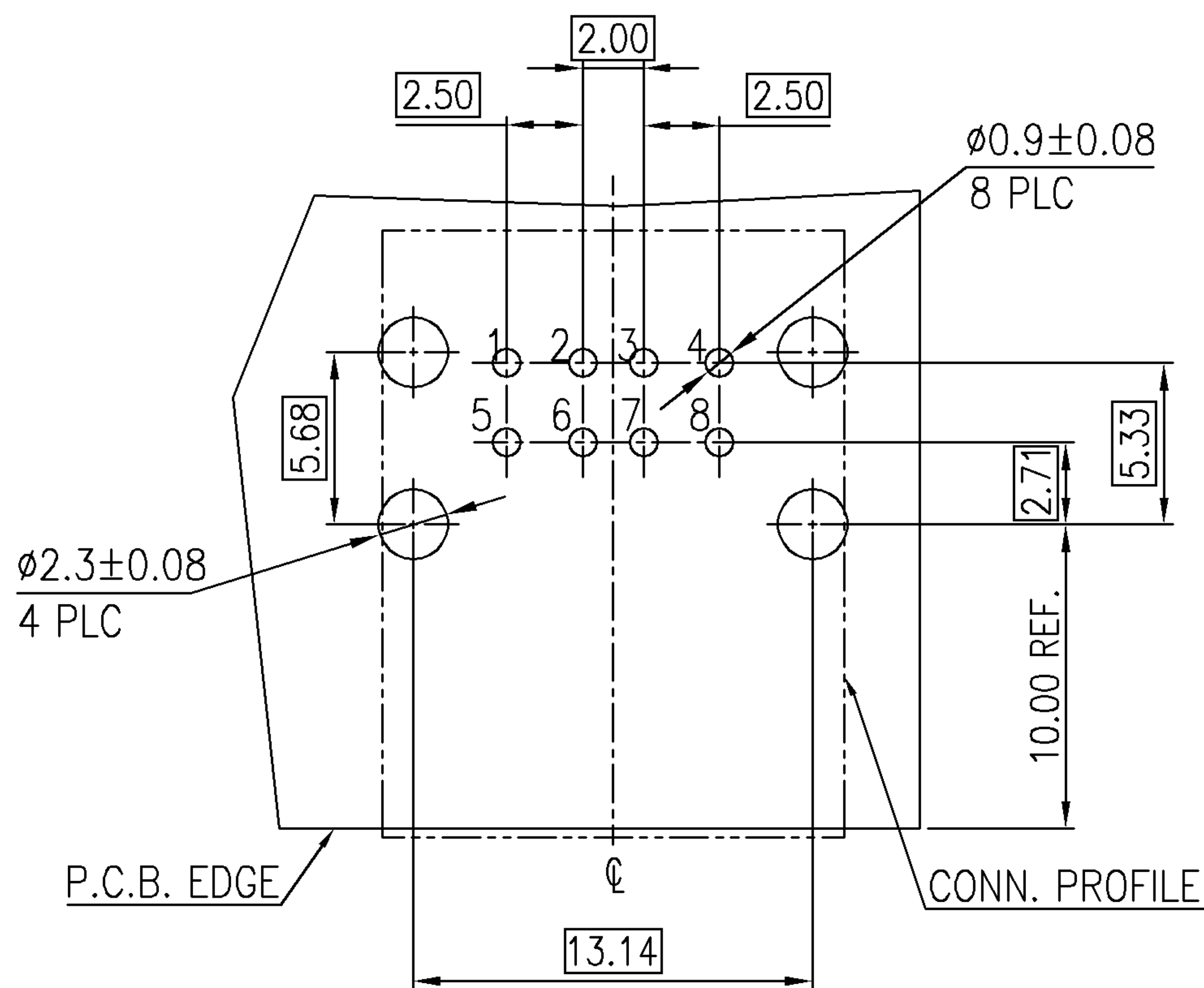
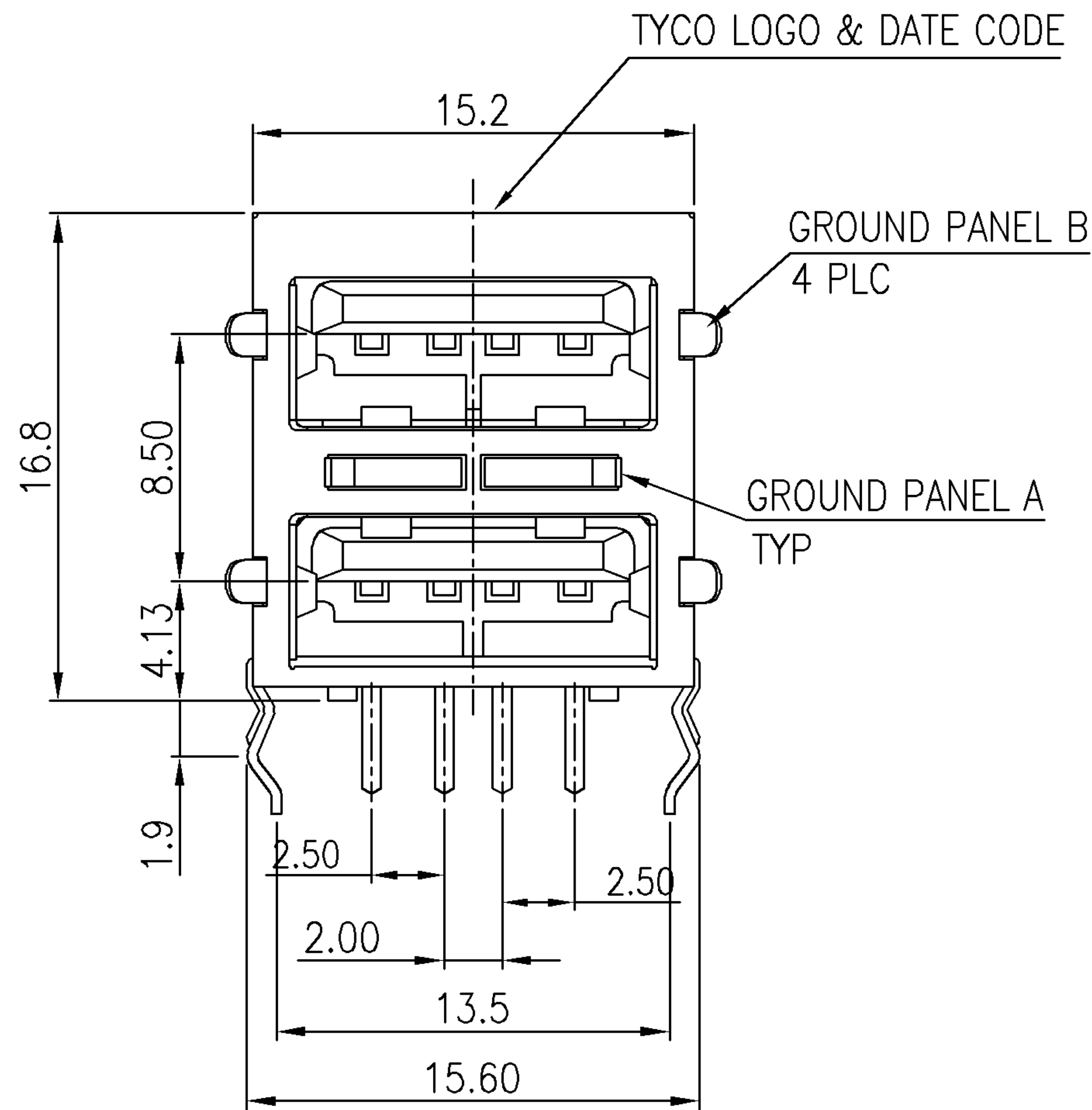
NUMBER
C-1734084

3RD ANGLE PROJECTION

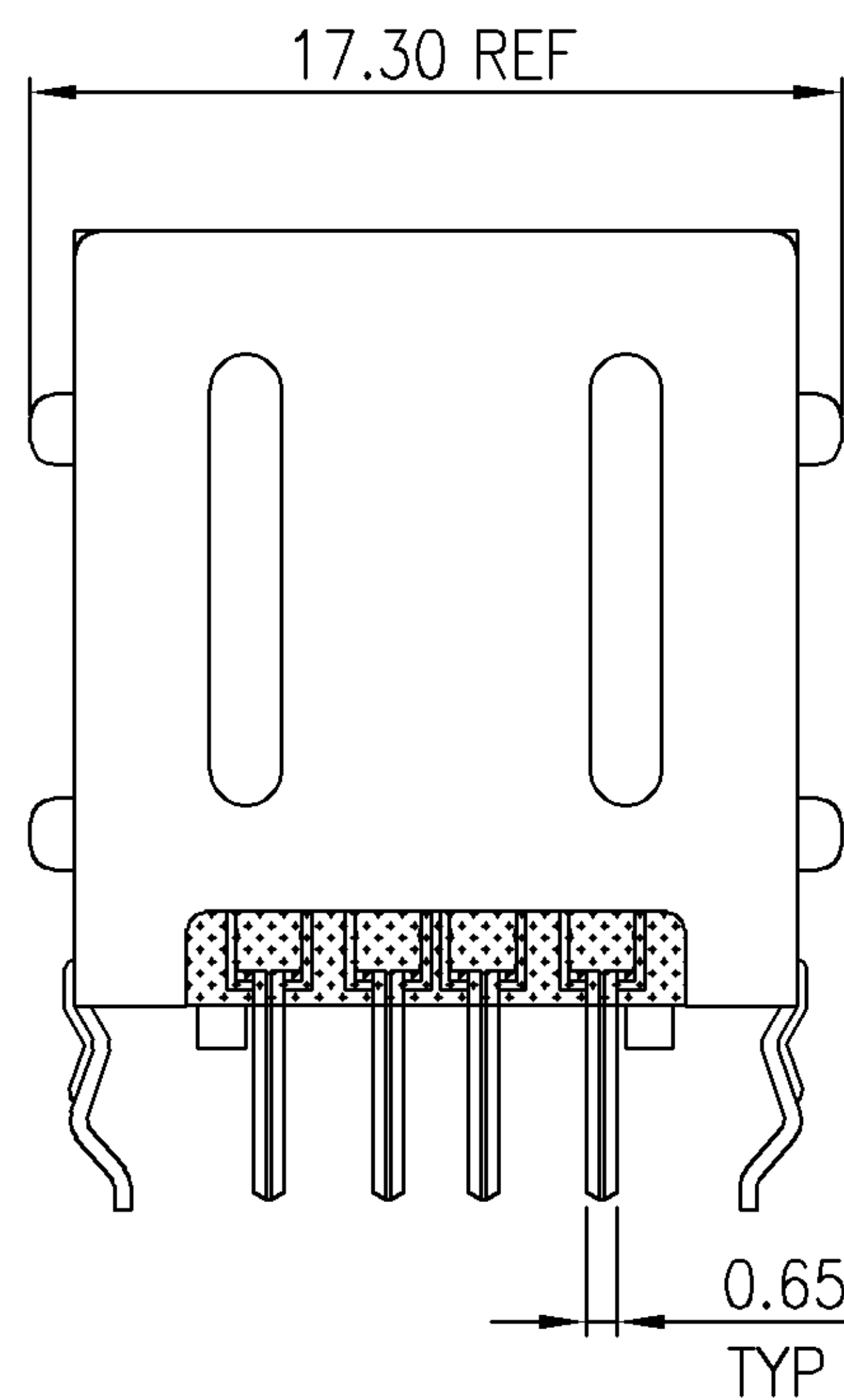
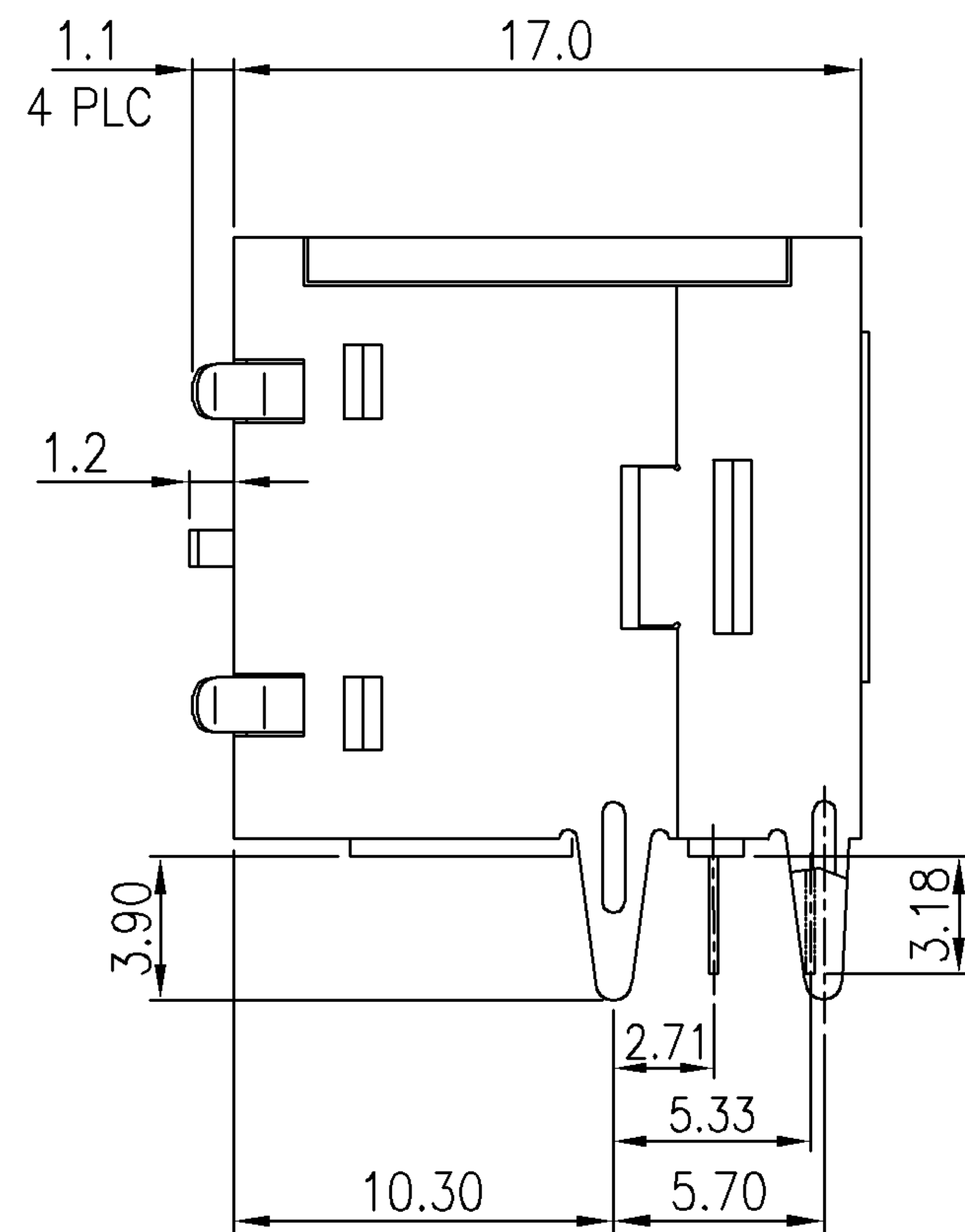
METRIC

THIS INFORMATION IS CONFIDENTIAL AND IS DISCLOSED TO YOU ON CONDITION THAT NO FURTHER DISCLOSURE IS MADE BY YOU TO OTHER THAN AMP PERSONNEL WITHOUT WRITTEN AUTHORIZATION FROM AMP (TAIWAN) LTD. DIMENSIONS IN MILLIMETERS. DO NOT SCALE PRINT.

PRINT DIST
DW



RECOMMENDED P.C.B. LAYOUT (THICKNESS=1.6mm)
(TOP VIEW) (TOLERANCE: ±0.05mm)



REAR VIEW

NOTES:

- MATERIAL:
HOUSING: THERMOPLASTIC (SEE TABLE), WITH 30% GLASS FIBER FILLED. UL 94V-0 RATED, BLACK COLOR
CONTACT: PHOSPHOR BRONZE, (t=0.25mm).
SHIELD: COLD ROLL STEEL, (t=0.35mm)
GROUNDING STRIP: STAINLESS, (t=0.20 & 0.25mm)
 - FINISH :
CONTACT: 30μ" MIN. GOLD PLATING ON CONTACT AREA.
150μ" MIN. BRIGHT TIN PLATING ON SOLDERTAILS
50μ" MIN. NICKEL UNDERPLATING OVERALL
SHIELD: 120μ" NICKEL PLATED OVER 50μ" MIN Cu
- ⚠️ WAVE SOLDER CAPABLE TO 265°C PER TYCO SPEC109-202, CONDITION B.
⚠️ REFLOW SOLDER CAPABLE TO 260°C PER TYCO SPEC 109-201, CONDITION B.

⚠️ PA46	W/	W/O	2-1734084-2
⚠️ PBT	W/	W/O	2-1734084-1
⚠️ PA46	W/O	W/	1-1734084-2
⚠️ PBT	W/O	W/	1-1734084-1
⚠️ PA46	W/O	W/O	0-1734084-2
⚠️ PBT	W/O	W/O	0-1734084-1
HSG. MATERIAL	GROUND PANEL B	GROUND PANEL A	PART NUMBER

TOLERANCES UNLESS OTHERWISE SPECIFIED: 0 PLC ± 1 PLC ± 0.35 2 PLC ± 0.25 3 PLC ± ANGLES ±	DWN	O. HU	TYCO HOLDINGS (BERMUDA) VII LTD. TAIWAN BRANCH NAME
	07-JUL-2005	07-JUL-2005	
MATERIAL SEE NOTE	CHK	S. JOU	RCPT, STACKED, USB, R/A, A TYPE
	07-JUL-2005	07-JUL-2005	
FINISH SEE NOTE	APVD	W.J. KE	QUALIFICATION TEST REPORT 501-57638 WEIGHT 6.16g
	07-JUL-2005	07-JUL-2005	
	PRODUCT SPEC	108-57549	LOC DW
	QUALIFICATION TEST REPORT	501-57638	SIZE A ₃
	WEIGHT	6.16g	DRAWING NO C-1734084
			REV A
			SCALE --
			SHEET 1 OF 2

A	REVISED DWG	ECR-05-006369	OH SH	08JUL 2005
O	FIRST RELEASED		OH SH	13MAY 2005
LTR	REVISION RECORD	ECN	DWN CHK	DATE

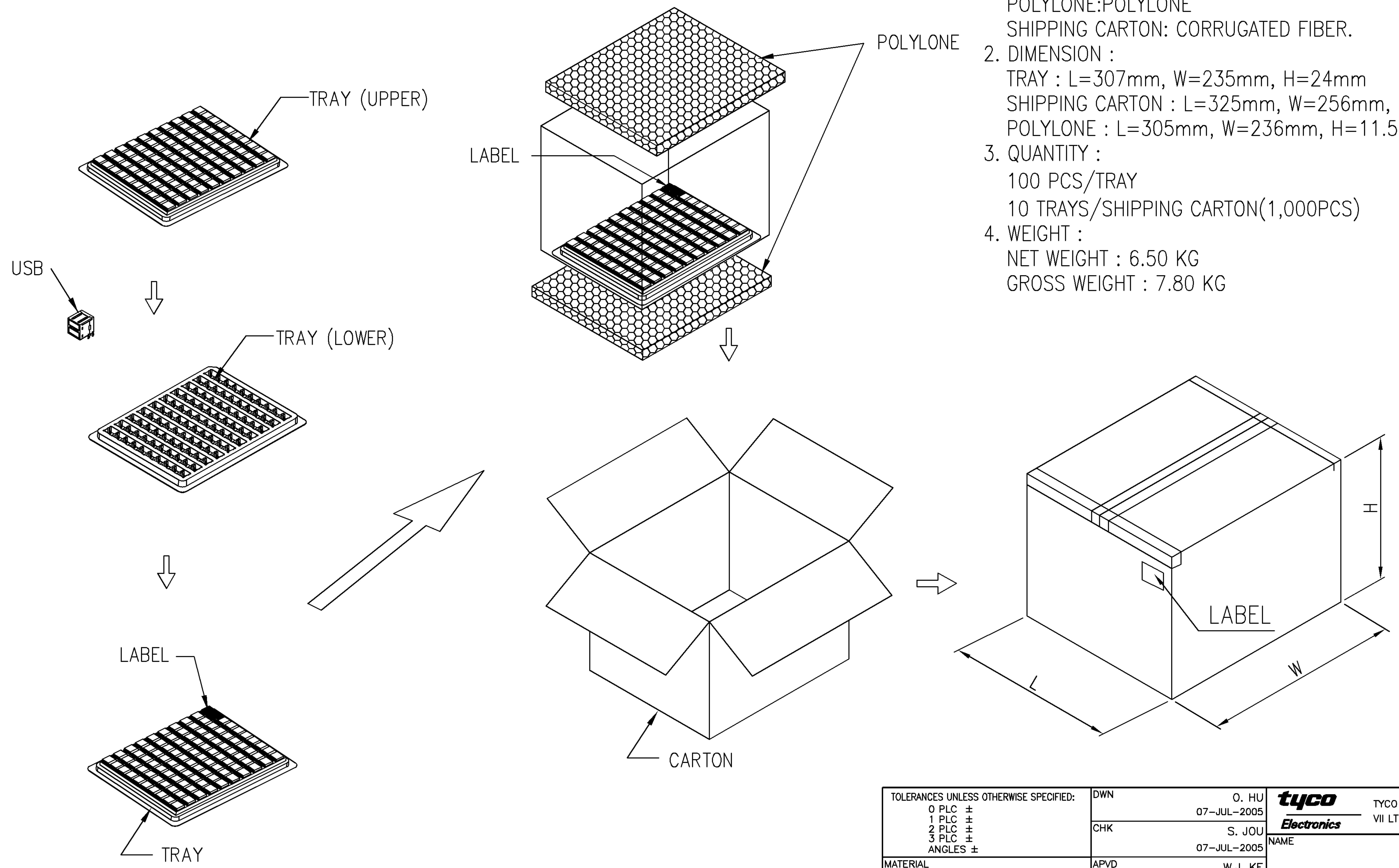
NUMBER
C-1734084

3RD ANGLE PROJECTION

METRIC

THIS INFORMATION IS CONFIDENTIAL AND IS DISCLOSED TO YOU ON CONDITION THAT NO FURTHER DISCLOSURE IS MADE BY YOU TO OTHER THAN AMP PERSONNEL WITHOUT WRITTEN AUTHORIZATION FROM AMP (TAIWAN) LTD. DIMENSIONS IN MILLIMETERS. DO NOT SCALE PRINT.

PRINT DIST
DW



- NOTES:
- MATERIAL:
TRAY: PS.
POLYLONE: POLYLONE
SHIPPING CARTON: CORRUGATED FIBER.
 - DIMENSION :
TRAY : L=307mm, W=235mm, H=24mm
SHIPPING CARTON : L=325mm, W=256mm, H=285mm
POLYLONE : L=305mm, W=236mm, H=11.5mm
 - QUANTITY :
100 PCS/TRAY
10 TRAYS/SHIPPING CARTON(1,000PCS)
 - WEIGHT :
NET WEIGHT : 6.50 KG
GROSS WEIGHT : 7.80 KG

SEE SHEET 1.	ECN	DWN	CHK	DATE
LTR	REVISION RECORD			

TOLERANCES UNLESS OTHERWISE SPECIFIED: 0 PLC ± 1 PLC ± 2 PLC ± 3 PLC ± ANGLES ±	DWN	O. HU	TYCO HOLDINGS (BERMUDA) VII LTD. TAIWAN BRANCH	
		07-JUL-2005	CHK	S. JOU
MATERIAL SEE NOTE	APVD	W.J. KE	NAME	
		07-JUL-2005	RCPT, STACKED, USB, R/A, A TYPE	
FINISH SEE NOTE	QUALIFICATION TEST REPORT		LOC DW	SIZE A₃
			DRAWING NO	C-1734084
	WEIGHT		REV	A
			SCALE	2 OF 2